

Fuel filtration rebuilt set

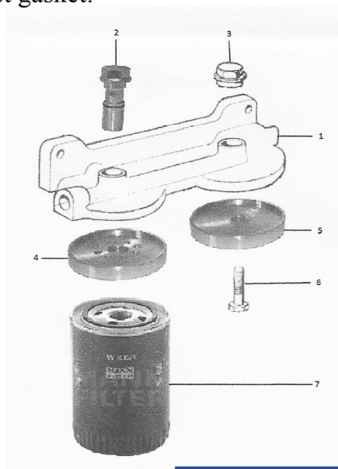
The set is made for rebuilding fuel filtration on engines Zetor URI.

The set contains:

- Filter screw no.2
- Filter plate no.4
- Cap screw with gasket no.6
- Cap no.5
- Filter no.7

Assembly instructions

1. Remove both bowls from the **filter cleaner body no.1**, check gaskets condition (if they are bad, replace with new ones).
2. Into the left hole of the filter cleaner body insert the **filter screw no.2** with ring CU20x26c1,5 instead of the nut and from the bottom side tighten the screw against the **filter plate no.4**.
3. Lubricate the **filter gasket no.7** with oil, screw the filter on **the filter screw no.2** and tighten only by hands securely.
4. Insert **original nut no.3** with ring CU20x26x1,5 into the right side of the **filter plate no.1**, using **cap screw with gasket no.6** tighten the **cap no.5** against gasket.



Manual ID:
10-95-0808-NA/EN